



## TECHNICAL DATA

### Measurements

Width, head open	1 300 mm
Width, head closed	1 025 mm
Weight (from)	720 kg
Height (in processing position)	1 410 mm
Length (in processing position)	1 380 mm
Optimal tree diameter	330 mm
Optimal tree diameter in debarking	230 mm

### Delimiting

Number of delimiting knives	4+1
Max opening of front knives	480 mm
Max opening of rear knives	520 mm
Diameter front knives tip-to-tip	330 mm

### Feeding

Type of feed	2WD
Diameter of feed rollers	355 mm
Max opening of feed rollers	420 mm

### Hydraulics

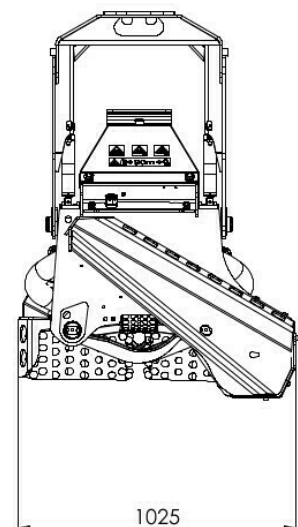
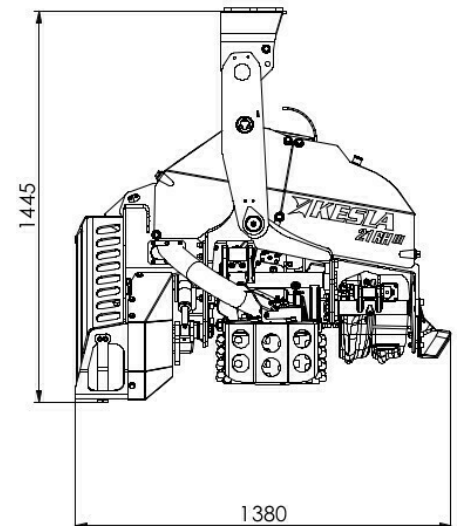
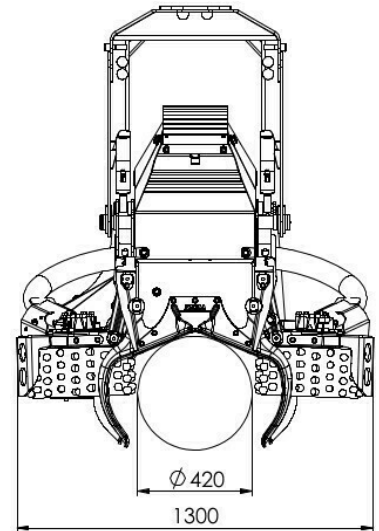
Recommended pressure min	250 bar
Max pressure	280 bar
Recommend oil flow min	135 l/min
Max oil flow	240 l/min

### Electronics

Voltage	24 V
Current	15 A

### Recommended base machine

Excavator min weight	7 t
Excavator max weight	15 t
Wheeled harvester min weight	10 t
Wheeled harvester max weight	15 t



## SAW AND FEEDMOTOR CONFIGURATION

### Chain Saw Options

#### F12-30, manual chain tensioner, auto saw control

Max cutting diameter	570 mm
Max guide bar length	67 cm
Chain pitch	0.404 "
Saw motor displacement	30 cc
Chain tightener	auto
Saw control	auto

#### F11-19, manual chain tensioner, manual saw control

Max cutting diameter	570 mm
Max guide bar length	67 cm
Chain pitch	0.404 "
Saw motor displacement	19 cc
Chain tightener	manual
Saw control	manual

#### F11-19, manual chain tensioner, auto saw control

Max cutting diameter	570 mm
Max guide bar length	67 cm
Chain pitch	0.404 "
Saw motor displacement	19 cc
Chain tightener	manual
Saw control	auto

#### JPS R5500 32cc saw with auto chain tensioner, auto saw control

Max cutting diameter	570 mm
Max guide bar length	67 cm
Chain pitch	0.404 "
Saw motor displacement	32 cc
Chain tightener	auto
Saw control	auto

#### KESLA HD30 with automatic chain tensioner, manual saw control

Max cutting diameter	570 mm
Max guide bar length	67 cm
Chain pitch	0.404 "
Saw motor displacement	30 cc
Chain tightener	auto
Saw control	manual

#### KESLA HD30 with automatic chain tensioner, auto saw control

Max cutting diameter	570 mm
Max guide bar length	67 cm
Chain pitch	0.404 "
Saw motor displacement	30 cc
Chain tightener	auto
Saw control	auto



## Feed Motor Options

### Rexroth 400cc

Feed motor displacement	400 cc
Feed force	18 kN
Feed speed	5 m/s
Recommended flow	190 l/min
Recommended engine power min	79 kW

### Rexroth 325cc

Feed motor displacement	325 cc
Feed force	15 kN
Feed speed	5 m/s
Recommended flow	155 l/min
Recommended engine power min	65 kW

## OPTIONAL EQUIPMENT

### Control valve

HA08-030-10	STD (mechanical clamping pressure control)
HA08-030-11	KESLA proCON

### Saw bar pressure control

HA08-050-10	STD (Manual)
HA08-050-11	Proportional

### Tilt control

HA08-055-10	STD tilt
HA08-055-11	proTILT
HA08-055-12	proTILT Lock

### Chain oil pump

HA08-060-10	Fixed volume, hydraulic
HA08-060-11	KESLA Prolube, electric adjustable

### Feed roller

HA08-070-10	STD (KESLA steel rollers)
HA08-070-20	KESLA EUCA-rollers
HA08-070-30	KESLA Multi stemming- rollers
HA08-070-60	FINNSKOGSVALSEN
HA08-070-70	V-Tec

### Middle roller

HA08-080-10	STD
HA08-080-20	EUCA

### Length measuring

HA08-090-12	measuring roller KESLA HydCON+
HA08-090-13	KESLA hydCON+ w/ wide sprocket
HA08-090-14	Sensors in feed motors

### Diameter measuring

HA08-100-10	No diameter measuring equipment installed
HA08-100-11	STD Analog sensor, current output (mA)
HA08-100-12	Double pulse encoders
HA08-100-13	Analog sensor, voltage output (mV)

### Wire harness for control system

HA08-110-10	None
HA08-110-11	Motomit
HA08-110-12	KESLA proLOG or xLogger
HA08-110-13	Dasa d4

### MTH grapple

HA08-165-11

### Color marking

HA08-170-11

### Stump treatment

HA08-180-11

**Control valve for rotator**

HA08-190-11 PROPO, proportional control  
HA08-190-12 ON/OFF

**Find end sensor** HA08-210-11

**KESLA proAX** HA08-215-11

**Spare hose kit** HA08-220-11

**Spare parts kit**

HA08-230-11 STD kit (for a head with measuring wheel)  
HA08-230-12 For head with length encoders in feed motors

**Tool kit**

HA08-240-11 KESLA special tool kit  
HA08-240-12 Universal tool kit  
HA08-240-13 KESLA special tool kit + Universal tool kit

**Rotator & link**

HA08-250-11 Black Bruin BBR15HD + link 250 mm w/  
dual swing damper (#3160256)  
HA08-250-20 Indexator AV12S + link w/o swing damper  
HA08-250-21 Indexator AV12S link w/ single swing  
damper S-80  
HA08-250-22 Indexator AV12S + link w/ double swing  
damper S-80  
HA08-250-23 Indexator AV12S + link w/ double swing  
damper S-100  
HA08-250-30 Finnrotor FR23M + link 200 mm w/o swing  
damper  
HA08-250-40 Indexator GV6 + link S80/45 w/ single  
swing damper  
HA08-250-41 Indexator GV6 + link S80/45 w/ dual swing  
damper

**Control and Measuring System**

HA08-260-11 KESLA xLogger with Priority-Bucking  
software  
HA08-260-12 KESLA proLOG  
HA08-260-14 KESLA xLogger with Bucking-to-value  
software

**Installation kit for  
control and measuring  
system**

HA08-270-11

**Joystick grips**

HA01-280-15 SVAB grips  
HA08-280-11 SUREGRIP with 2x10 buttons preset  
keypads  
HA08-280-12 SUREGRIP with 1x10 buttons preset keypad