



## TECHNICAL DATA

### Measurements

Width, head open	1 120 mm
Width, head closed	1 015 mm
Weight (from)	920 kg
Height (in processing position)	1 450 mm
Length (in processing position)	1 570 mm
Optimal tree diameter	450 mm

### Delimiting

Number of delimiting knives	4+1
Max opening of front knives	480 mm
Max opening of rear knives	600 mm
Diameter front knives tip-to-tip	390 mm

### Feeding

Type of feed	Stroke feed
Length of stroke	850 mm
Max opening of feed jaws	720 mm
Stroke force	65 kN

### Hydraulics

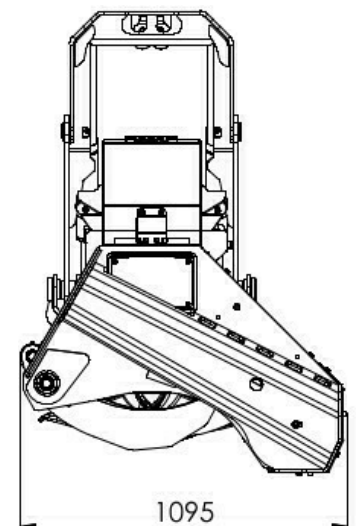
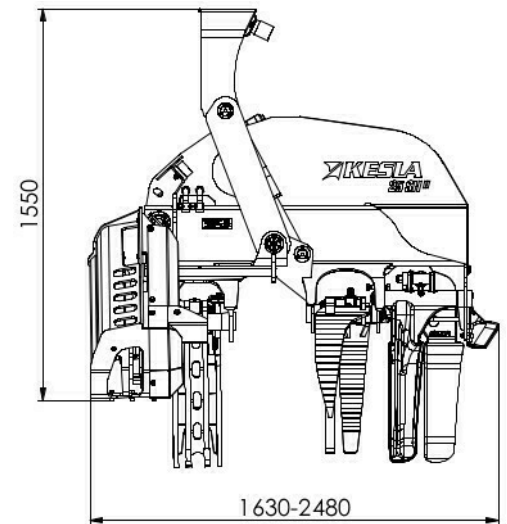
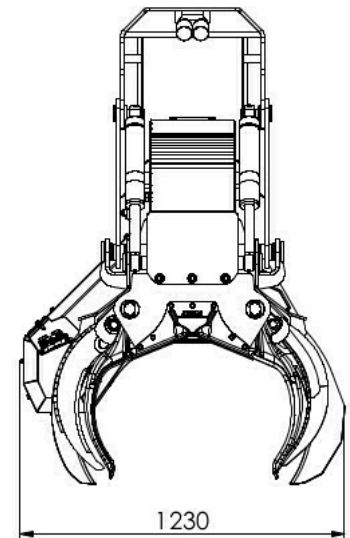
Recommended pressure min	175 bar
Max pressure	210 bar
Recommend oil flow min	120 l/min
Max oil flow	180 l/min

### Electronics

Voltage	24 V
Current	15 A

### Recommended base machine

Excavator min weight	12 t
Excavator max weight	16 t
Wheeled harvester min weight	10 t
Wheeled harvester max weight	16 t



## SAW AND FEEDMOTOR CONFIGURATION

### Chain Saw Options

#### F11-19, manual chain tensioner, manual saw control

Max cutting diameter	600 mm
Max guide bar length	75 cm
Chain pitch	0.404 "
Saw motor displacement	19 cc
Chain tightener	manual
Saw control	manual



## OPTIONAL EQUIPMENT

### Chain oil pump

HA06-060-10	Fixed volume, hydraulic
HA06-060-11	KESLA Prolube, electric adjustable

### Floating valve for tilt

HA06-065-11

### Length measuring

HA06-090-10	STD (measuring roller, spring-loaded)
HA06-090-18	Measuring roller + linear position sensor
HA06-090-19	Linear position sensor

### Diameter measuring

HA06-100-10	No diameter measuring equipment installed
HA06-100-11	STD Analog sensor, current output (mA)

### Connector block for hoses

HA06-150-11	YES
-------------	-----

### Control valve for rotator

HA06-190-11	PROPO, proportional control
HA06-190-12	ON/OFF

### Top saw

HA06-200-11

### Find end sensor

HA06-210-11

### Connectors for main hoses

HA06-212-10	JIC
HA06-212-11	BSP

### Spare hose kit

HA06-220-11

### Spare parts kit

HA06-230-11

### Tool kit

HA06-240-11	KESLA special tool kit
HA06-240-12	Universal tool kit
HA06-240-13	KESLA special tool kit + Universal tool kit

### Rotator & link

HA06-250-11	Black Bruin BBR15HD + link 250 mm w/ dual swing damper (#3160256)
HA06-250-13	Indexator AV 17 (#3160469) + link w/o swing damper (#90019958)
HA06-250-20	Indexator AV12S + link w/o swing damper
HA06-250-21	Indexator AV12S link w/ single swing damper S-80
HA06-250-22	Indexator AV12S + link w/ double swing damper S-80
HA06-250-23	Indexator AV12S + link w/ double swing damper S-100

**Installation kit for  
control and measuring  
system**

HA06-270-11

**Joystick grips**

HA06-280-11	SUREGRIP with 2x10 buttons preset keypads
HA06-280-12	SUREGRIP with 1x10 buttons preset keypad
HA06-280-13	KESLAGrip with 1x10 buttons preset keypad (for SH heads only)
HA06-280-14	KESLAGrip with 2x10 buttons preset keypads (for SH heads only)
HA06-280-15	SVAB grips